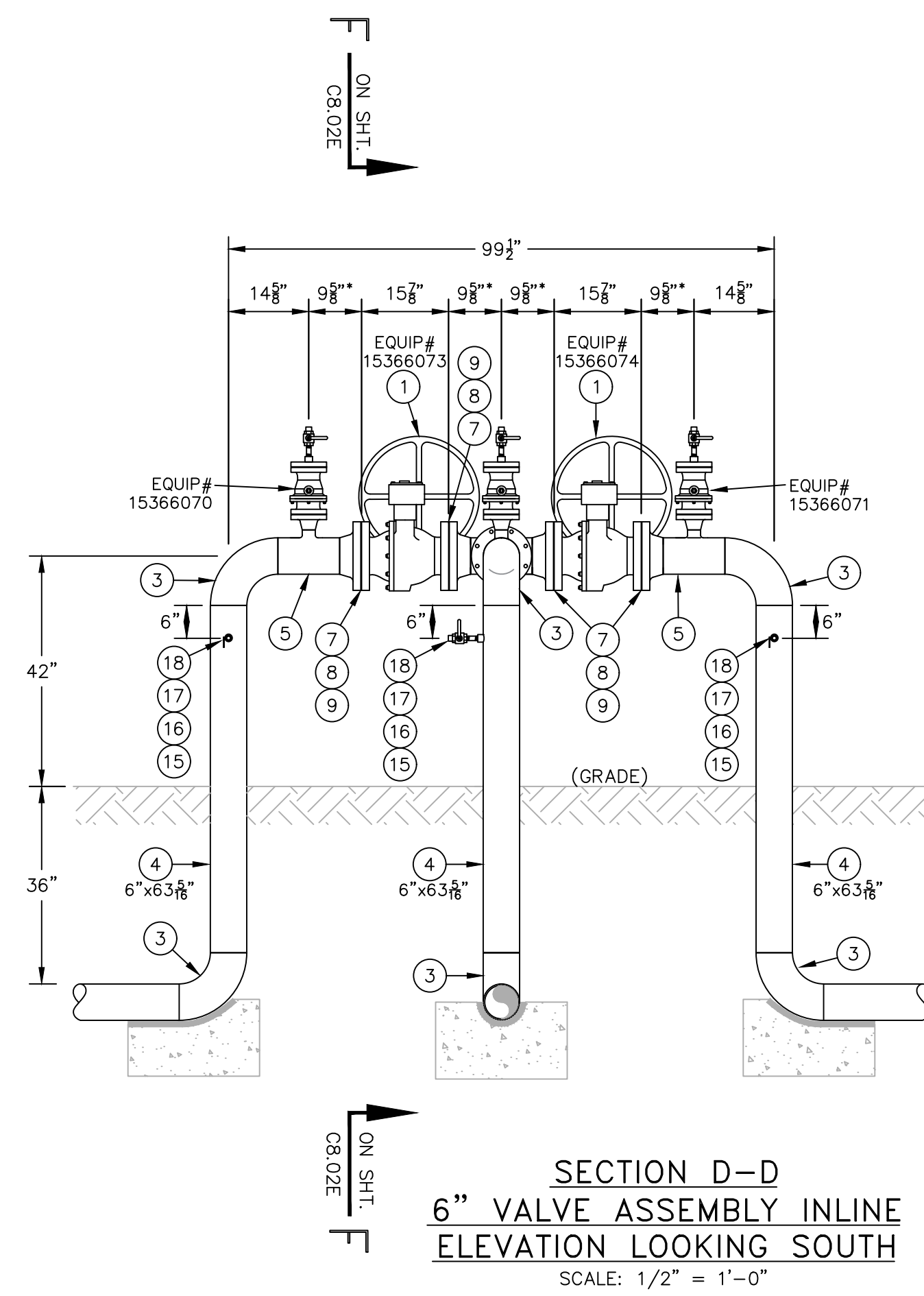
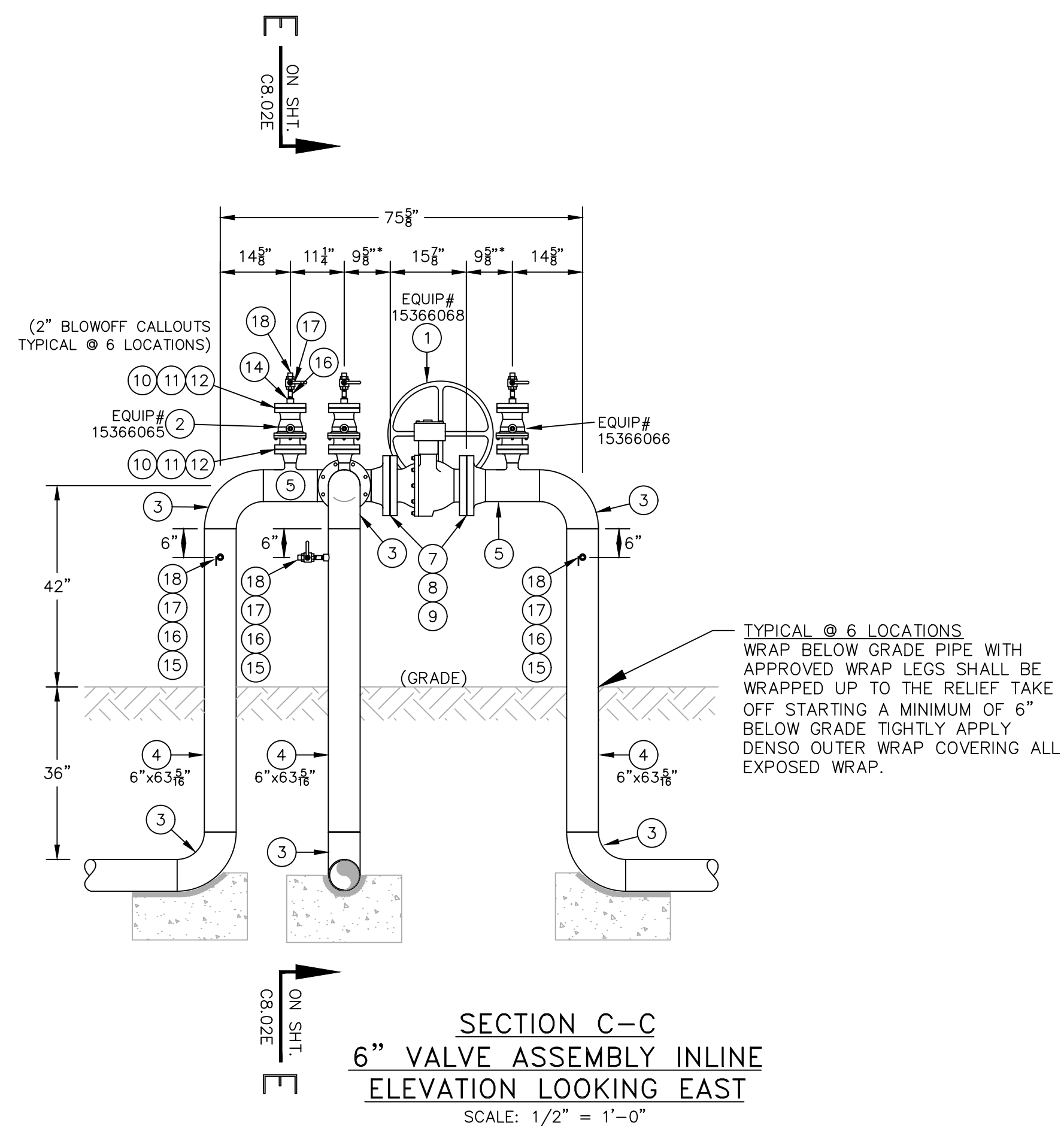
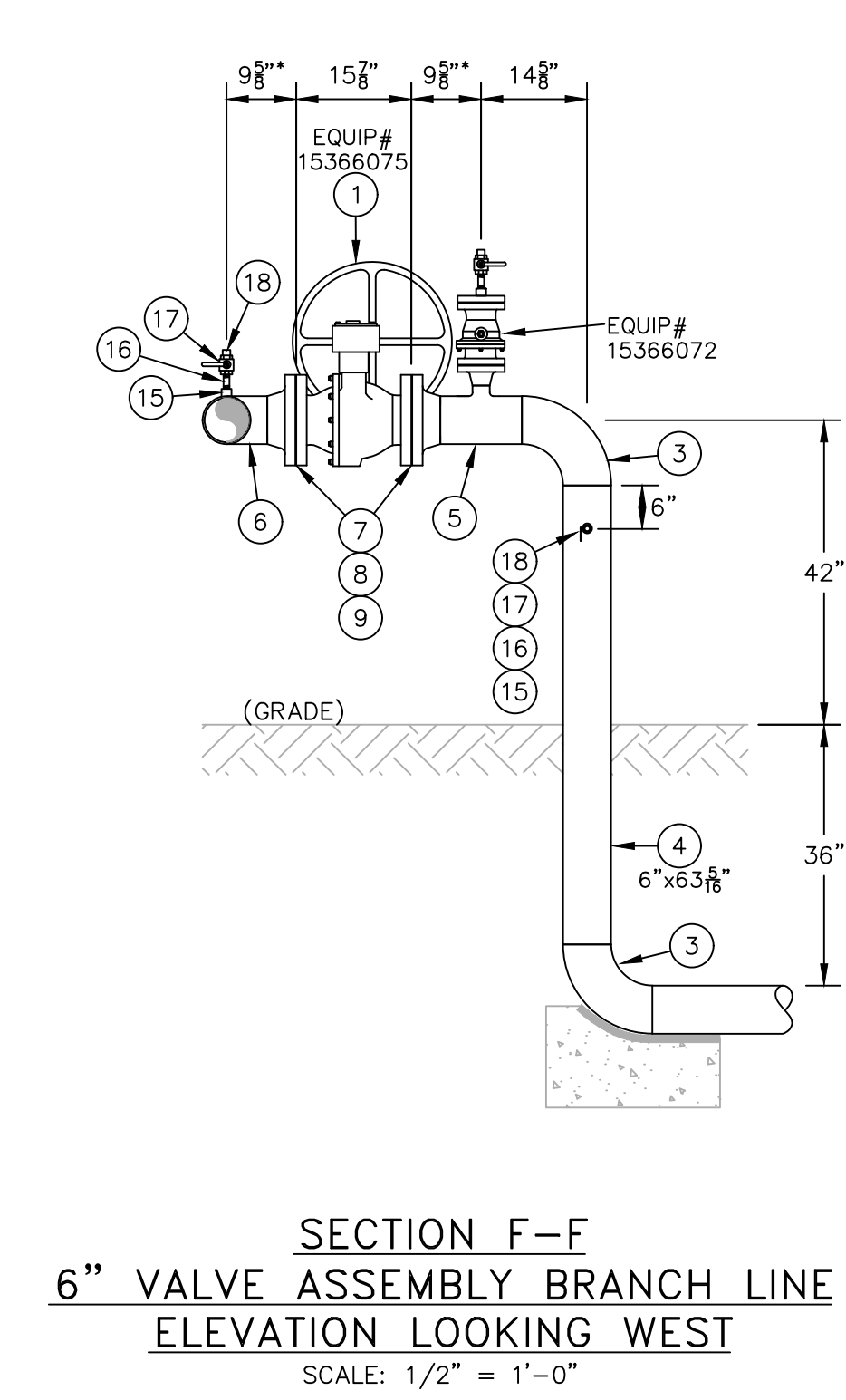
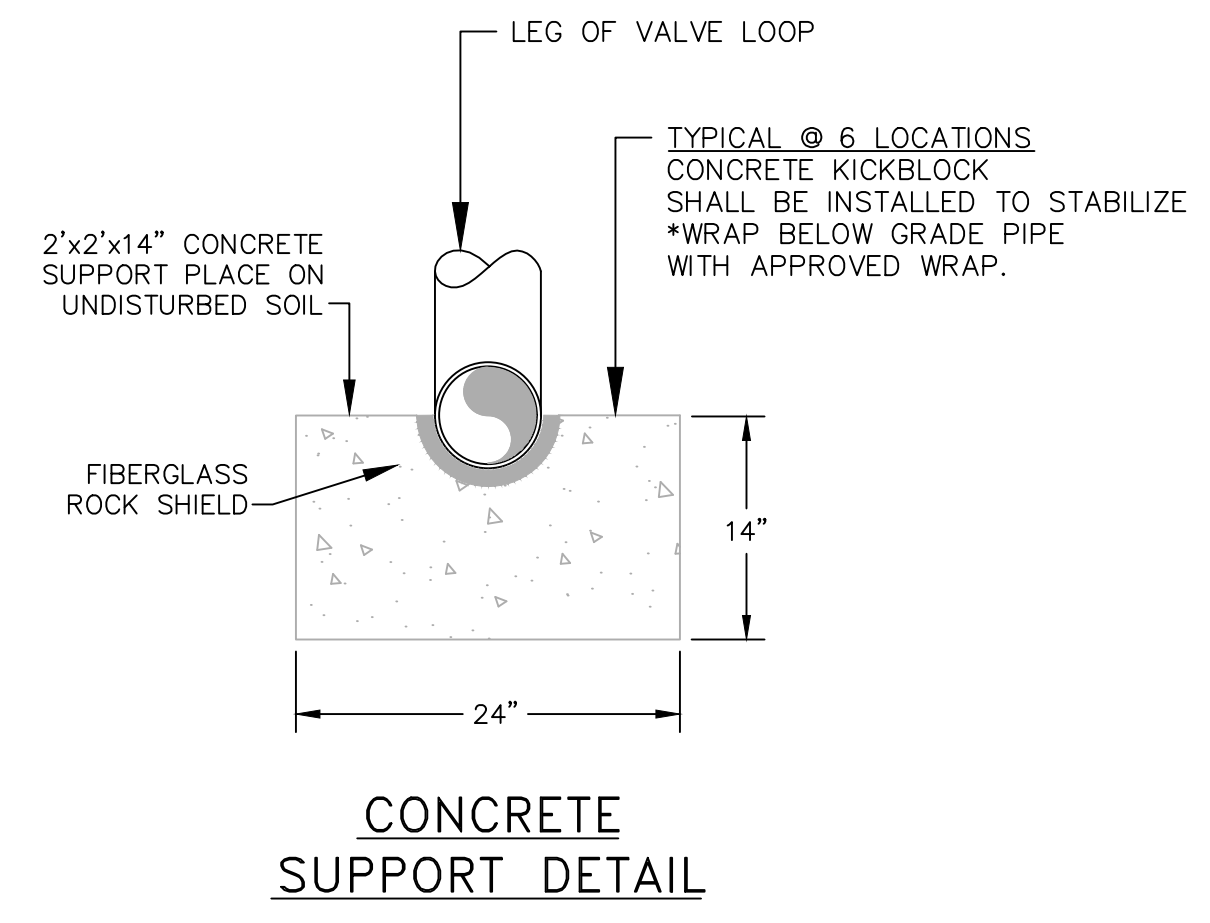
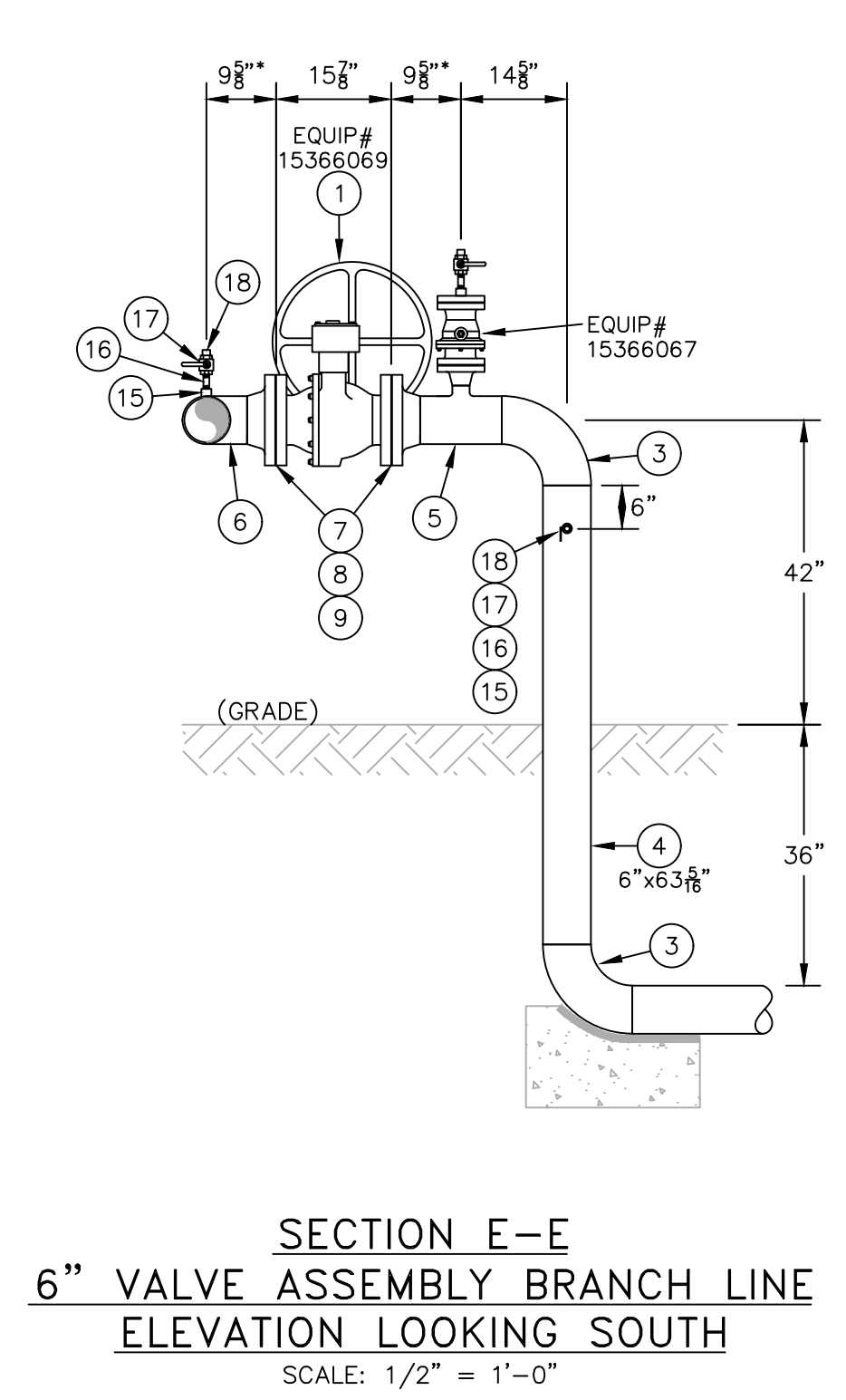


| MATERIAL LIST - BELLE PRAIRE RD & CO RD 261 - SECTION C-C | | | |
|---|--------|-------|--|
| ITEM # | SKU# | QTY | DESCRIPTION |
| 1 | 181541 | 2 | 8" BALON BALL VALVE FULL PORT, ASTM A216 WCB/A105, CARBON STEEL BODY, RF FLANGES, ANSI 300, 6F-F33N-RF |
| 2 | 181503 | 3 | 2" BALON BALL VALVE FULL PORT, ASTM A216 WCB/A105, CARBON STEEL BODY, RF FLANGES, ANSI 300, 2F-F33-RF |
| 3 | 180302 | 6 | 6" WELD 90 DEG ELL, LR, STD, GR-B |
| 4 | 232278 | 20 FT | 6" STEEL PIPE, 280 WALL, A-52, GR-B |
| 5 | 225183 | 3 | 6" x 6" x 2" REDUCING WELD TEE, STD, GR-B |
| 6 | 180390 | 1 | 6" WELD TEE, STD, GR-B |
| 7 | 231864 | 4 | 6" WELD NECK FLANGE, RF, ANSI 300 |
| 8 | 266073 | 4 | 6" LINBACKER RING GASKETS, G10, ANSI 300 |
| 9 | 234223 | 32 | 3/4" x 5-3/4" STUD BOLTS, ALLOY (8 PER 6" FLANGE) |
| 10 | 180512 | 3 | 2" WELD NECK FLANGE, RF, ANSI 300 |
| 11 | 266067 | 6 | 2" LINBACKER RING GASKETS, G10, ANSI 300 |
| 12 | 181816 | 48 | 5/8" x 4" STUD BOLTS, ALLOY (8 PER ANSI300 2" FLANGE) |
| 13 | 180448 | 3 | 2" BLND FLANGE, RF, ANSI 150 |
| 14 | 179796 | 3 | 1/2 XH SCREW COUPLING, 3000# |
| 15 | 259856 | 4 | SOCKOLET 8" TO 3" x 1/2", 3000# |
| 16 | 179907 | 7 | 1/2" x 3" XH TOE NIPPLE |
| 17 | 243369 | 7 | 1/2" BALL VALVE F x F, SS, 2000#, W/ LOCKING DEVICE |
| 18 | 225969 | 7 | 1/2" XH HEX HEAD SCREW PLUG, 3000# |
| 19 | 234117 | 11 | PADLOCK 11B722-L |



| MATERIAL LIST - CO RD 43 & 13 AVE NE - SECTION D-D | | | |
|--|--------|-------|--|
| ITEM # | SKU# | QTY | DESCRIPTION |
| 1 | 181541 | 3 | 8" BALON BALL VALVE FULL PORT, ASTM A216 WCB/A105, CARBON STEEL BODY, RF FLANGES, ANSI 300, 6F-F33N-RF |
| 2 | 181503 | 3 | 2" BALON BALL VALVE FULL PORT, ASTM A216 WCB/A105, CARBON STEEL BODY, RF FLANGES, ANSI 300, 2F-F33-RF |
| 3 | 180302 | 6 | 6" WELD 90 DEG ELL, LR, STD, GR-B |
| 4 | 232278 | 20 FT | 6" STEEL PIPE, 280 WALL, A-52, GR-B |
| 5 | 225183 | 3 | 6" x 6" x 2" REDUCING WELD TEE, STD, GR-B |
| 6 | 180390 | 1 | 6" WELD TEE, STD, GR-B |
| 7 | 231864 | 6 | 6" WELD NECK FLANGE, RF, ANSI 300 |
| 8 | 266073 | 6 | 6" LINBACKER RING GASKETS, G10, ANSI 300 |
| 9 | 234223 | 48 | 3/4" x 5-3/4" STUD BOLTS, ALLOY (8 PER 6" FLANGE) |
| 10 | 180512 | 3 | 2" WELD NECK FLANGE, RF, ANSI 300 |
| 11 | 266067 | 6 | 2" LINBACKER RING GASKETS, G10, ANSI 300 |
| 12 | 181816 | 48 | 5/8" x 4" STUD BOLTS, ALLOY (8 PER ANSI300 2" FLANGE) |
| 13 | 180448 | 3 | 2" BLND FLANGE, RF, ANSI 150 |
| 14 | 179796 | 3 | 1/2 XH SCREW COUPLING, 3000# |
| 15 | 259856 | 4 | SOCKOLET 8" TO 3" x 1/2", 3000# |
| 16 | 179907 | 7 | 1/2" x 3" XH TOE NIPPLE |
| 17 | 243369 | 7 | 1/2" BALL VALVE F x F, SS, 2000#, W/ LOCKING DEVICE |
| 18 | 225969 | 7 | 1/2" XH HEX HEAD SCREW PLUG, 3000# |
| 19 | 234117 | 12 | PADLOCK 11B722-L |



CenterPoint Energy
MINNESOTA REGION
PROPRIETARY AND CONFIDENTIAL
PROJECT #: 91714500

M16000 - LITTLE FALLS
M15600 - BELL PRAIRIE TWP
M15700 - LITTLE FALLS TWP

ONE CALL:
MORRISON COUNTY
NE QTR, SEC 24, T41/R32
NW QTR, SEC 36, T41/R32

DISTRICT: NORTH OUTSTATE

LEGEND:
— ACTIVE MAIN
— DESIGNED MAIN
— PROPOSED ABANDONED/
— OUT OF SERVICE MAIN
— ABANDONED
— OUT OF SERVICE MAIN

REVISIONS:

PIPE REQUIRED:
6" ST PIPE, .280WT, GR-B - 40'

COPIES TO PIPELINE INTEGRITY PACKET: NO
EMP?: YES
STATION MANAGER?: YES
SURVEYOR REQUIRED?: NO
CORROSION?: PAUL TEESELINK
DD#: 156-002
156-003 (NEW)
GFIP#: 264-2020
TYPE: NBCO

FOLLOW INTERNAL PIPE SAMPLING REQUIREMENTS: YES
RETURN PACKET TO ENG: NO

PERMITS:
MORRISON COUNTY
LITTLE FALLS
BELLE PRAIRE TWP
LITTLE FALLS TWP

PROJECT DESCRIPTION:

LITTLE FALLS
BARRETT
PET FOODS

PROJECT ADDRESS:

INTERSECTION OF
CO RD 43 &
13 AVE NE

INTERSECTION
CO RD 261
& BELLE PINE DR

DESIGNED BY: NATHANIEL NAZARENO
PHONE: (612) 321-5352
DRAWN BY: NATHANIEL NAZARENO
PHONE: (612) 321-5352
DATE: 3/24/2020

I hereby certify that this plan, specification, or report was prepared by me or under my direct supervision and that I am a duly Licensed Professional Engineer under the laws of the state of Minnesota.
Signature: _____
Typed or Printed Name: _____
Date: _____ License Number: _____

SCAN DATE: _____ SCALE: AS NOTED
SS# N/A SHEET: 3 OF 3

Shared on NW Linden\Vol1\Eng\AutoCad Shared\Nathaniel N\2020\91714500 - BARRETT VALVE ASSEMBLY\91714500 - BARRETT PET FOODS update.dwg \ 3/24/2020

SEE NOTES
ON SHEET 1