

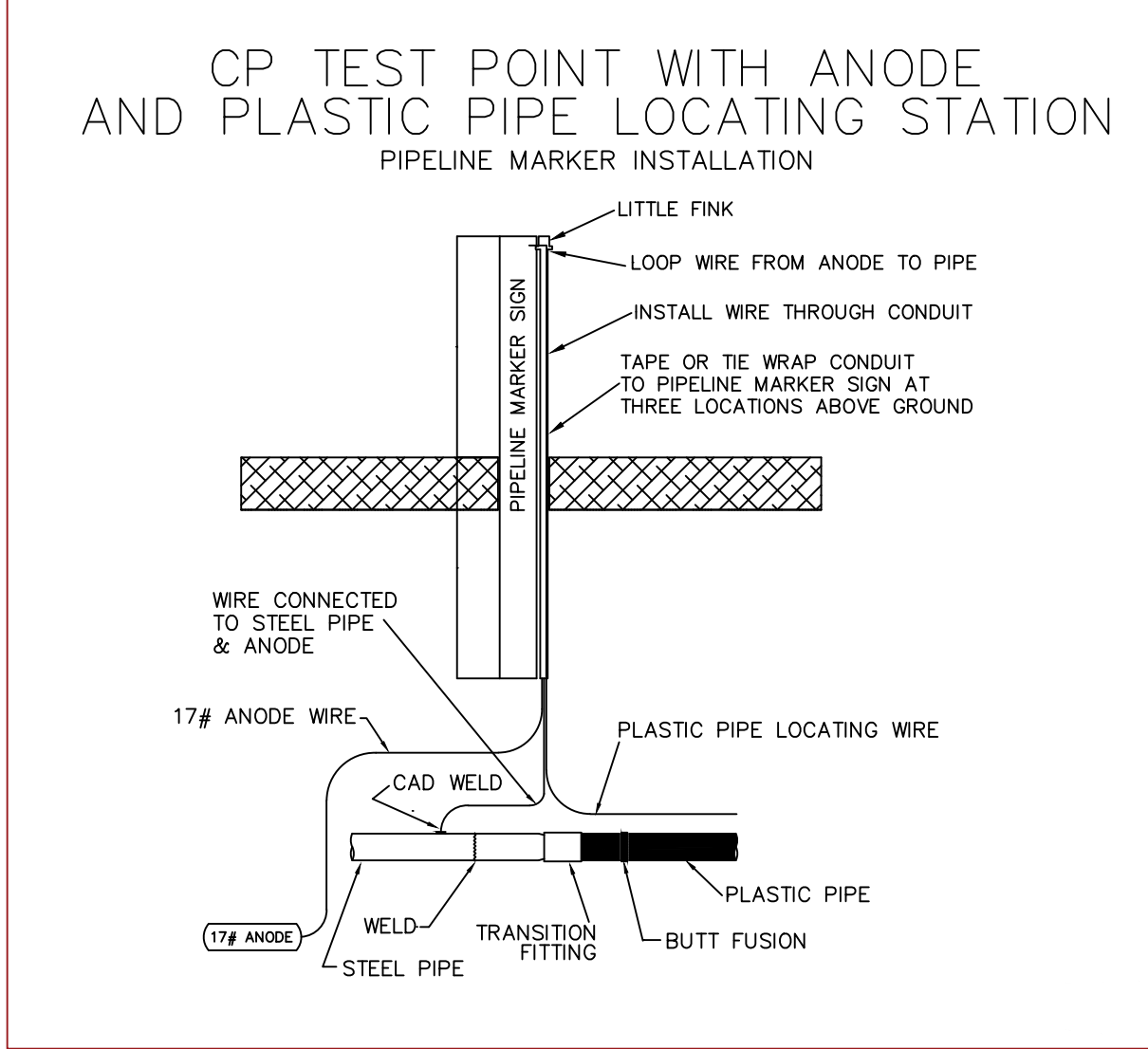
DETAIL 1
NO SCALE

INSTALL: 6" KEROTEST VALVE IN ROADWAY EQUIP# 15370468
 EXTEND: 6" PE CL-6, W
 NOTE: INSTALL CP TEST POINT WITH ANODE AND PLASTIC PIPE LOCATING STATION USING A PIPELINE MARKER.

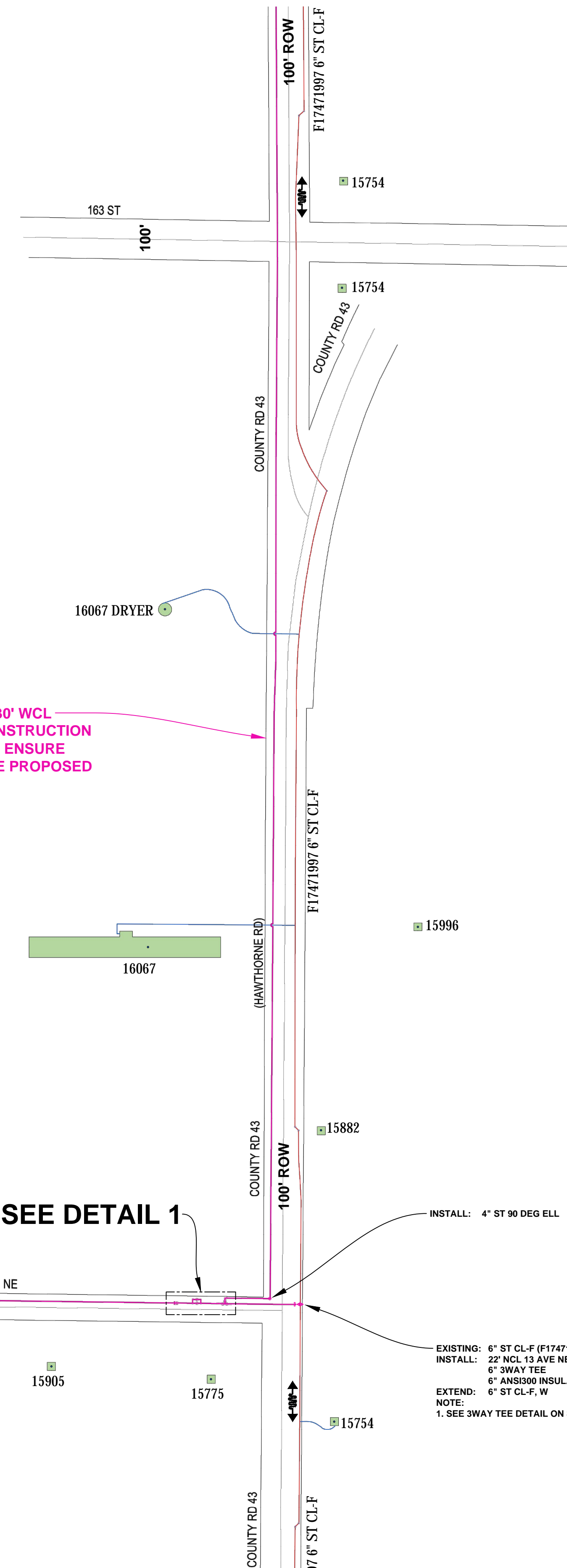
INSTALL PARALLEL RUNS OF SINGLE CUT REGULATOR LOOPS @ 215' WCL CO RD 43
 SEE SHEET 2 OF W0# 92649326 FOR REGULATOR LOOPS DESIGN AND MATERIAL CALLOUTS

INSTALL ABOVEGROUND 6" VALVE ASSEMBLY @ 145' WCL CO RD 43
 SEE SHEET 3 FOR DESIGN AND MATERIAL CALLOUTS.

CORROSION TECH FOR AREA IS
 PAUL TEESELINK, CELL 612-910-1378



(SEE SHEET 1)
MATCH LINE 2

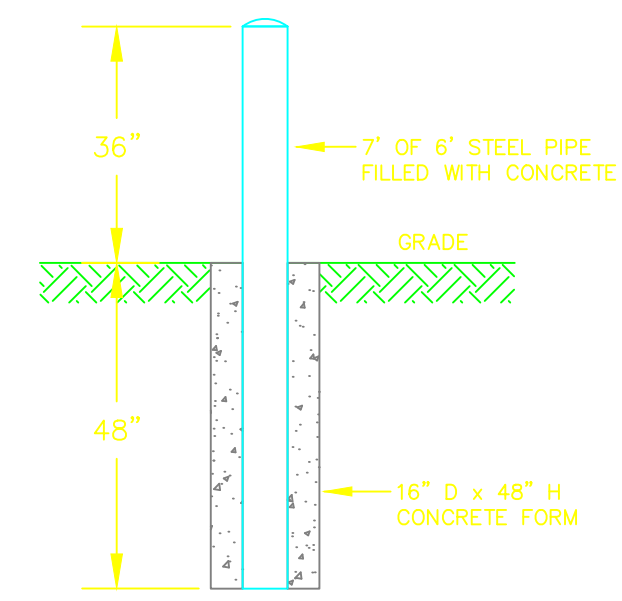


PROP 4" ST CL-F @ 30' WCL
 CITY WILL BE RECONSTRUCTION ROAD IN THIS AREA. ENSURE PIPELINE IS OUTSIDE PROPOSED ROAD.

SEE DETAIL 1

GUARD POST INSTALLATION REQUIREMENTS FOR REGULATOR STATIONS:

- SHALL BE CONSTRUCTED OF AT LEAST 6" DIAMETER STEEL PIPE FILLED WITH CONCRETE
- SHALL BE SPACED NOT MORE THAN 4' ON CENTER
- SHALL BE SET NOT LESS THAN 3' FROM THE PROTECTED SYSTEM
- SHALL BE SET APPROXIMATELY 4" DEEP IN A CONCRETE FOOTING NOT LESS THAN 15" IN DIAMETER
- SET WITH THE TOP OF THE POST NOT LESS THAN 3' ABOVE GROUND
- POSTS SHALL BE LEVELED
- CONCRETE FORM AND 6" ST PIPE SHALL BE FILLED WITH CONCRETE
- GROUND AROUND THE GUARD POST SHALL BE WELL COMPACTED TO PREVENT SETTLING
- EACH POST REQUIRES APPROXIMATELY 6 CUBIC FEET OF CONCRETE OR 5-6 BAGS OF SAKRETE



GUARD POST DETAIL
NO SCALE

CenterPoint Energy
 MINNESOTA REGION
 PROPRIETARY AND CONFIDENTIAL
 PROJECT #: 91714500
 M18000 LITTLE FALLS
 M15800 BELLE PRAIRIE TOWNSHIP
 M15700 LITTLE FALLS TOWNSHIP

ONE CALL:
 Morrison
 *SE26 T41/R32
 *NE9 T40/R32
 *NE36 T41/R32
 *NE35 T41/R32
 *SW36 T41/R32
 *NW24 T41/R32
 *NW10 T40/R32
 *SE36 T41/R32
 *SE35 T41/R32
 *NE24 T41/R32
 *NW9 T40/R32
 *SW25 T41/R32
 *SE25 T41/R32
 *NE25 T41/R32
 *SE24 T41/R32
 *NW36 T41/R32
 *NW35 T41/R32
 * = this Page

LEGEND:
 — ACTIVE MAIN
 — DESIGNED MAIN
 - - - PROPOSED ABANDONED/
 - - - OUT OF SERVICE MAIN
 - - - ABANDONED/
 - - - OUT OF SERVICE MAIN

PIPE REQUIRED:
 88' 6" STLCL-6
 431' 6" STLCL-F
 2970' 6" PE CL-6
 11147' 4" STLCL-F
 14636' PIPE

PROPOSED ABANDONED PIPE:
 26' 6" STLCL-F
 26' PIPE

COPIES:
 PIPELINE INTEGRITY PACKET: N
 STATION MANAGER: Y
 DD NUMBER: 156-003 (NEW)
 CORROSION: PAUL TEESELINK
 EMP: Y

FOLLOW INTERNAL PIPE SAMPLING REQUIREMENTS? Y

SURVEYOR REQUIRED? N

RETURN PACKET TO ENG? N

GFIP #: 264-2020

PERMITS:
 MORRISON COUNTY
 LITTLE FALLS
 BELLE PRAIRIE TWP
 LITTLE FALLS TOWNSHIP

PROJECT DESCRIPTION: NBCCO
 BARRETT PET FOOD

DESIGNER: Nathan Nazareno
 PHONE #: 612-321-5352
 DRAWN BY: Nathan Nazareno
 DESIGN DATE: 2/5/2020

REVISION INFO:

Main	SCALE 1"=200'
SSR	N/A SHEET 2 OF 3

I hereby certify that this plan, specification, or report was prepared by me or under my direct supervision and that I am a duly Licensed Professional Engineer under the laws of the state of Minnesota.

Signature: _____
 Typed or Printed Name: _____
 Date: _____ License Number: _____

SEE NOTES ON SHEET 1

3/24/2020 9:00 AM DESIGNER EXPRESS DESIGN