

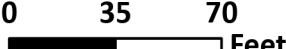


| | | | | | |
|--|--|---|--|--|--|
| Staking Sheet Consolidated Telephone Company Address: <u>32088 Park Rd</u> Cust Name: <u>Jim Moore</u> WO: <u>1052916</u> Exchange: <u>I LEC - Linoln</u> Route: <u>COD7A/1</u> ROW: <u>House Drop</u> County: <u>Morrison</u> Range: State: <u>Minnesota</u> Township: Section: | |  Consolidated Telephone Company - 218-454-1234 | | Address: 32088 Park Rd Fiber count: 1122 SEBO4 - 370' NIDF(O) - 1, NID3 - 1 BFO24 - 630' WBHF - 1 HO1 - 8 BDO5(AGS) - 1, BA3 - 1, BM2 - 1, BM53A - 1 | |
| Staked By: Justin Date: 6/6/2023 Revised By: Date: As-Built By: Date: | | <div style="text-align: center;">  0 35 70  Feet </div> | | Match tails at the HH. 10' Tails at the ped and the house. | |
| Sheet No. | | 1 of 1 | | | |